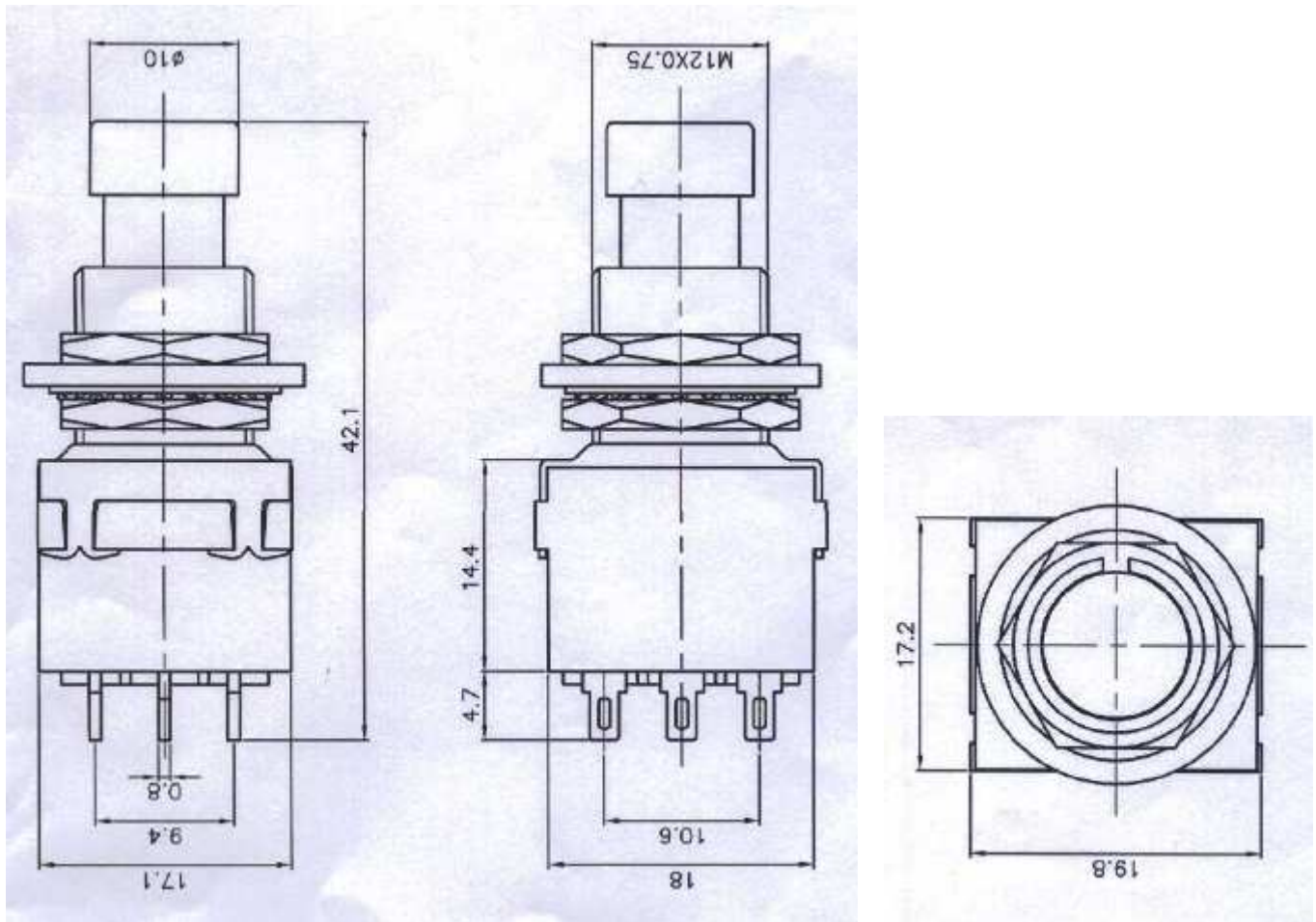


TEST REPORT

1. Dimension:



2. Rating: 4A 125V AC/2A 250V AC; 4A 30V DC

3. Electrical

3.1. Contact Resistance: 20m Ω (Max)

3.2. Insulation resistance: 500V DC 100M Ω (Min)

3.3. Dielectrical strength: AC 1500V/minute.

4. Temperature: Under 100°C for 1 Hour, ametabolic and still works well.

5. Electrical Life: 20000 Cycles at full load.

