

3.5Ø PHONE JACK

Feature:

The specification covers the requirements for **3.5Ø PHONE JACKS** intended for audio systems and similar electronic apparatuses, and is designed for on panel/chassis/PCB/SMT mounting with or without nut.

Construction:

● Housing: Thermoplastic ● Contact: Phosphor bronze ● Terminal: Brass/Copper alloy

Specification:

1. Withstanding voltage: AC500V 60Hz for 1 minute
2. Insulation resistance: 100M Ω (min.) at 500V DC
3. Contact resistance: 30m Ω (max.)
4. Insertion & Extraction force: 0.4 ~ 2.0kgs(Initial) ; 0.3 ~ 2.0kgs(After life test)
5. Lift test: 5,000 cycles unloading(20 ~ 30 cycles per minute)
6. Humidity test is kept in 90 ~ 95%(RH) for 96 hours.

SCJ □ □ □ □ □ □ □ □ □ □
① ② ③ ④ ⑤ ⑥ ⑦ ⑧ ⑨

① Series No.

② Bushing type: See page B-5 for details

③ Bushing plating:

"0" : No plating(Fully plastic bushing) ; "N" : Nickel ; "S" : Silver ; "G" : Gold flash

④ Schematic code: please see every model code

⑤ Terminal plating: "S" : Silver(Standard) ; "T" : Tin ; "G" : Gold flash

⑥ Nut option: "0" : Without nut ;

"1" : With round type nut(M6 x P0.5) ; "2" : With hexagonal nut(M6 x P0.5)

"3" : With round type nut(M8 x P0.75) ; "5" : With hexagonal nut(M8 x P0.75)

⑦ Housing color option: "B" : Black (Standard) ; Other color is available

⑧ Special option: "00" : No special option

(i) For SCJ325/326/327:

"01" : 0.5mm height with two plastic posts

"02" : 1.0mm height with two plastic posts

"03" : 0.5mm height with one plastic post only

(ii) For SCJ349/350/360/361/362/363

"00" : No special option

"01" : Kink type

"02" : Straight type

(iii) For SCJ339/351/352

"NP" : Without back plastic hook

"NS" : With metal shell

(iv) For SCJ364: "N0" : With metal shell


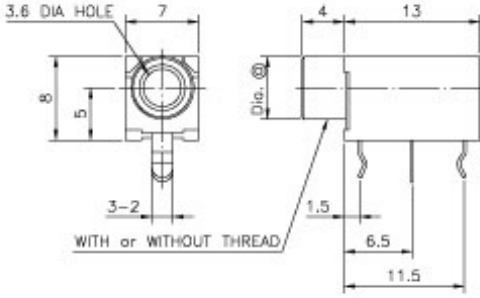
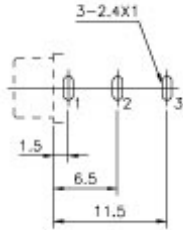


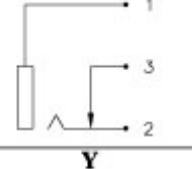
(v) For SCJ369/379 metal shell solder tail option


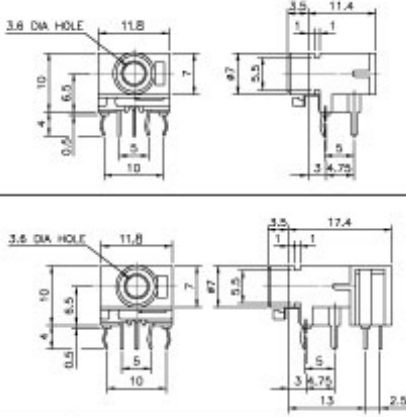
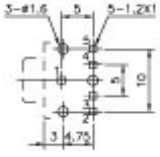

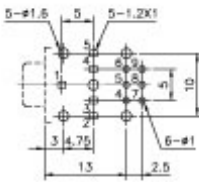

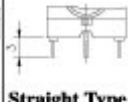

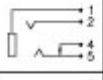
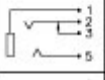
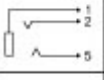
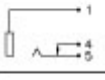
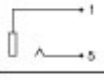
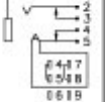
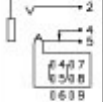
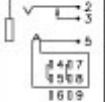
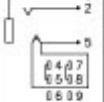
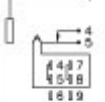
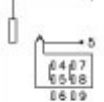
"21" ; "31" ; "23" ; "33" ; "25" ; "35" ; (see B-23 page)

⑨ "G" : For RoHS compliant

S. C. PRECISION INDUSTRIAL CO., LTD.

3.5Ø PHONE JACK

SCJ357 SERIES	Dimension (m/m)	Pin Hole Layout (Jack Bottom View)	
 SCJ 357M0	 WITH or WITHOUT THREAD		
 SCJ 357M1			
 SCJ 357M2			
Schematic Code	Model No.	Bushing Dia. (a)	Metric Thread
 Y	SCJ357M0	Ø6.0mm	×
	SCJ357M1	Ø6.0mm	M6X P0.5
	SCJ357P0	Ø7.5mm	×

SCJ360/361 SERIES	Dimension (m/m)	Pin Hole Layout (Jack Bottom View)				
 SCJ 360						
 SCJ 361 (SCJ360 with switch mode)						
Solder Tail Option						
 Kink Type	 Straight Type					
Schematic Code						
SCJ 360	 U	 V	 W	 X	 Y	 Z
SCJ 361	 U	 V	 W	 X	 Y	 Z
Code	U	V	W	X	Y	Z

S. C. PRECISION INDUSTRIAL CO., LTD.