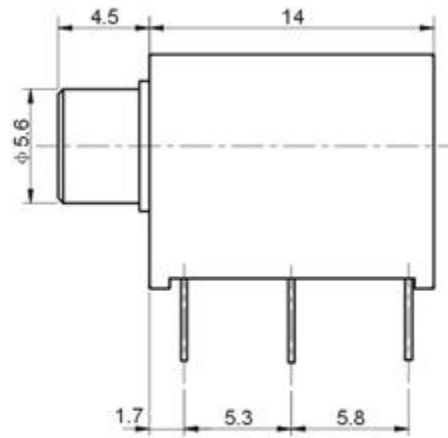
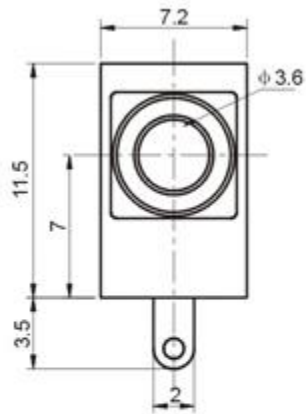


# PJ-323



## P.C.B LAYOUT TOP VIEW

